

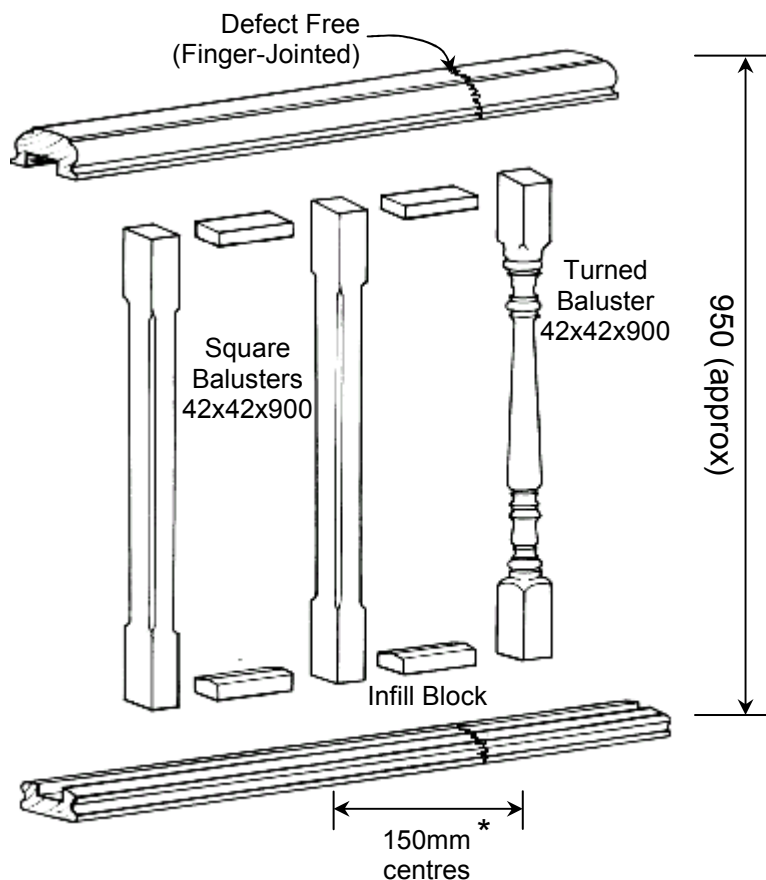
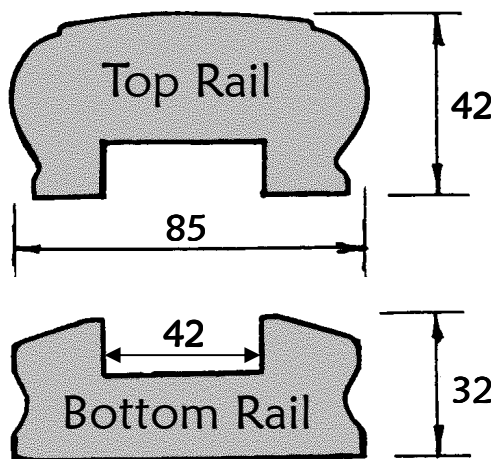
smartTimber

95 Leach Highway, Kewdale, WA 6105
 Phone: 9353-1888 Fax: 9353-1882

Federation Handrail

In LOSP Treated Pine

Not suitable for staining



Component Prices

Top Rail	1.8m	\$21.76
	2.4m	\$29.01
	3.0m	\$36.26
	5.4m	\$65.27

Bottom Rail	1.8m	\$19.32
	2.4m	\$25.76
	3.0m	\$32.20
	5.4m	\$57.95

Select Grade	Square Balusters (each)	\$6.32
--------------	-------------------------	---------------

Select Grade	Turned Balusters (each)	\$14.77
--------------	-------------------------	----------------

Infill Block	3.6m	\$13.75
--------------	------	----------------

Priming option: add \$1.60 per metre

Our Federation handrails are designed to complement Smartposts. They are machined from kiln dried pine and LOSP preservative treated to Australian Standard 1604 for long term protection against termites, rot & decay.

*For second storey handrailing a maximum gap of 125mm between balusters is required by the building code (may be subject to change - always check regulations)

Pre-assembled Units

<u>Length</u>	<u>Square Baluster</u>	<u>Turned Baluster</u>
1.2m	\$132.65	\$208.32
1.5m	\$165.52	\$256.83
1.8m	\$198.40	\$305.33
2.1m	\$231.50	\$360.66
2.4m	\$264.38	\$409.17
2.7m	\$297.48	\$464.50
3.0m	\$330.35	\$519.62

Specification as per the illustration above

Priming option: add \$20 per metre

We recommend that all outdoor timber products (including our Federation handrails) be sealed with a U.V. resistant stain/waterproofer or exterior grade paint.